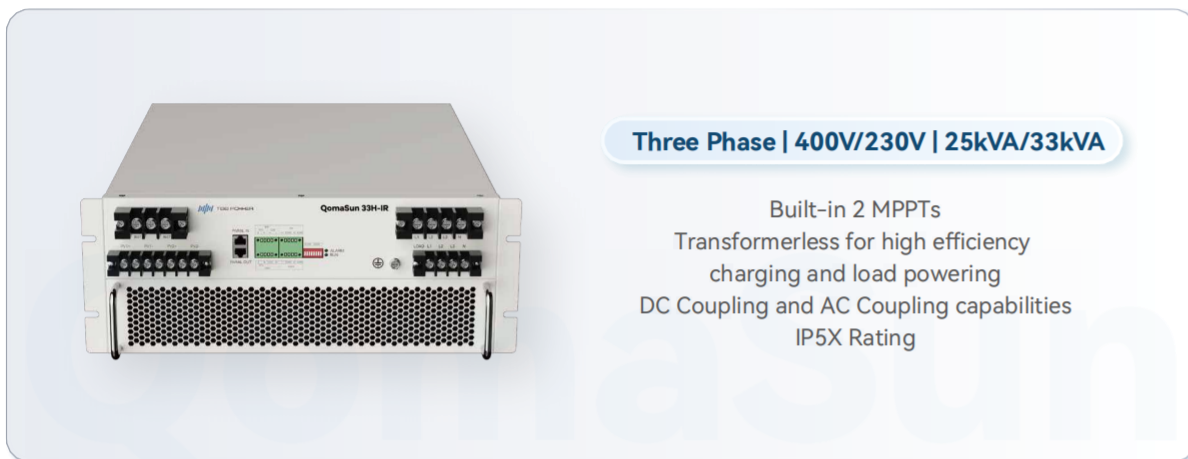


# QomaSun25/33H-IR

- Hybrid Inverter -



The QomaSun25H-IR/33H-IR series products are three-phase hybrid inverters suitable for applications such as villas, residential buildings, small commercial & industrial establishments, temporary power supply, and construction sites. These inverters support multiple energy sources including, solar, diesel generators, and the grid, allowing for flexible configuration and seamless integration. They can optimize energy consumption, implement peak-shaving, reduce electricity expenses, and provide emergency backup power. Additionally, they can be combined with other energy sources such as solar, and diesel generators to build independent mini-grid systems, ensuring stable power supply.

## Enhanced Flexibility

- Scalable up to 15 units in parallel (495kW)
- Seamless on-grid and off-grid transition for stable power
- Supports hybrid operation with diesel generator for optimal energy utilization
- Adaptable to a wide battery voltage range down to 200V

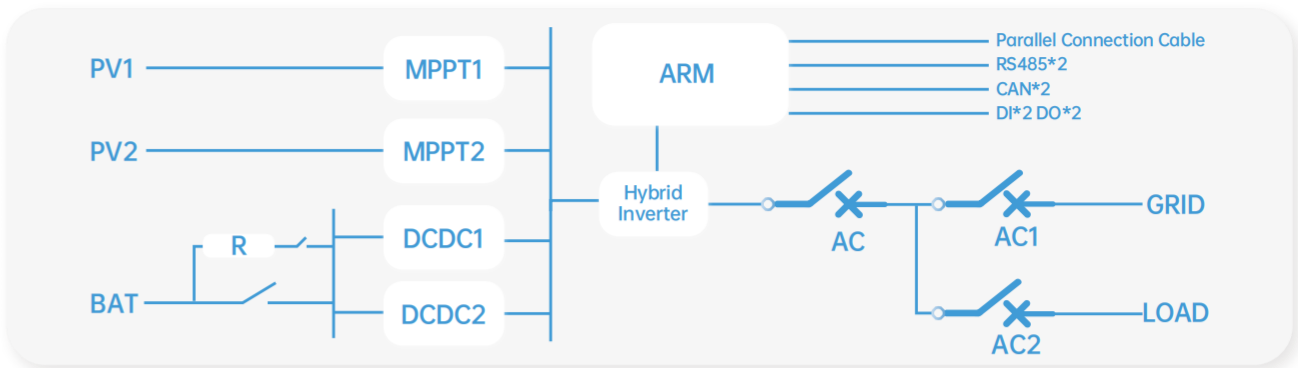
## Easy O&M

- Supports mainstream communication protocols such as BMS/Modbus\_RTU/-CAN, facilitating remote monitoring and management.

## Superior Reliability

- Wind channel isolation design to ensure the sealing of the control compartment for safety and reliability
- IP5X rating to resist salt spray, dust and ensure durability in harsh environments
- 1.5x overload capacity for stable operation
- Intelligent energy management like economic mode and grid priority
- Three-phase independent control optimizes power distribution and improves system flexibility and efficiency

## System Schematic:



Model	QomaSun25H-IR	QomaSun33H-IR
<b>DC Side</b>		
Maximum Voltage		800 V
Minimum Voltage		200 V
Rated Voltage Range	320V-800V	350V-800V
Maximum Input Current	80A	100A
<b>PV Parameters</b>		
Maximum Power	30kW	38.4kW
Maximum Voltage		850 V
Minimum Voltage		250 V
MPPT Voltage Range		200V-830V
Maximum Input Current	25A+25A	32A+32A
<b>AC Side (Grid-Tied)</b>		
Output Power	25kW	33kW
Maximum Output Current	40A	50A
Rated Voltage		400 V / 230V
Rated Voltage Range		-20%~15%
Frequency Range		50Hz / 47Hz~52Hz, 60Hz / 57Hz~62Hz
Harmonics		< 3 % (resistive load)
Power Factor		-100%~100%
<b>AC Side (Off-Grid)</b>		
Rated Power	25kW	33kW
Maximum Power	27.5kVA	27.5kVA
Rated Voltage		400 V / 230V (-5%~5%)
Output Voltage Harmonics		< 1.5% (resistive load)
Unbalance		100%
Frequency Range		50/60Hz
Output Overload		125%/10S, 150%/100mS
<b>System Parameters</b>		
Communication Port		EMS: CANRS485 Battery: CANRS485
DIDO		DI: 2 channels, DO: 2 channels
Maximum Efficiency		97.8%
Installation Method		Rack Mount
Loss		Standby <10W, No-load Power <100W
Weight		35kg
Protection		IP5X (Control Cabinet Sealed)
Temperature Range		-30~60°C (>45°C derating)
Humidity Range		5~95%
Cooling Method		Forced Air Cooling
Altitude		2000m (>3000m derating)
Grid Support		LVVRT, active & reactive power control and power ramp rate control